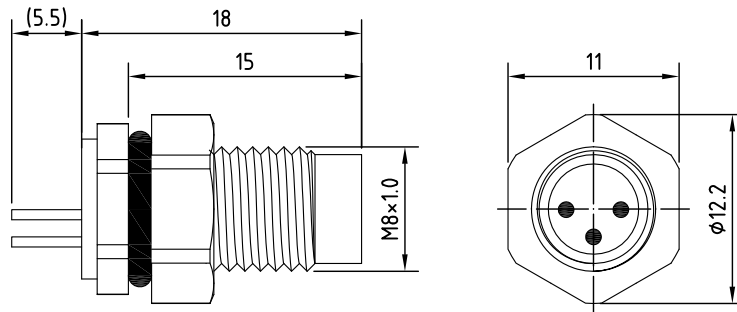


REV.	Description	Date
1	upgrade drawing	2012/6/12
2	dimension revise	2012/12/24
3	dimension revise	2014/1/2
4	rated voltage revise	2018/10/5

### Specification of connector

Locking system : screw M8  
 Termination : solder  
 Shell protection : IP68  
 Contact resistance :  $\leq 10\text{m}\Omega$   
 Insulation resistance :  $>10\text{M}\Omega$



RoHS  
TOLERANCE X $\pm$ 0.5 .X $\pm$ 0.3

CONTACT ARRANGEMENT FRONT VIEW (MALE)	3P	4P	5P	6P
Rated voltage	125V		60V	
Rated current	5A		2A	

4	Nut	PA	UL94V-0
3	O ring	Rubber	
2	Body	PA	UL94V-0
1	Pin	Brass	Gold plated
Item	Description	Material	Treat & Remark



**Unicable Co., Ltd. 國陽電業有限公司**

5F., No. 111-33, Sec. 4, San Ho Road., San Chung Dist., New Taipei City, Taiwan, R.O.C.  
<http://www.unicable.com.tw> TEL:+886-2-2286-2122 FAX:+886-2-2286-1010

DATE	2018/10/5	PART NO.	UT-SP209F1-XP-01
DWN	GINA	REV.	4
CHK			
ITEM	Sensor Connector M8	UNIT	MM